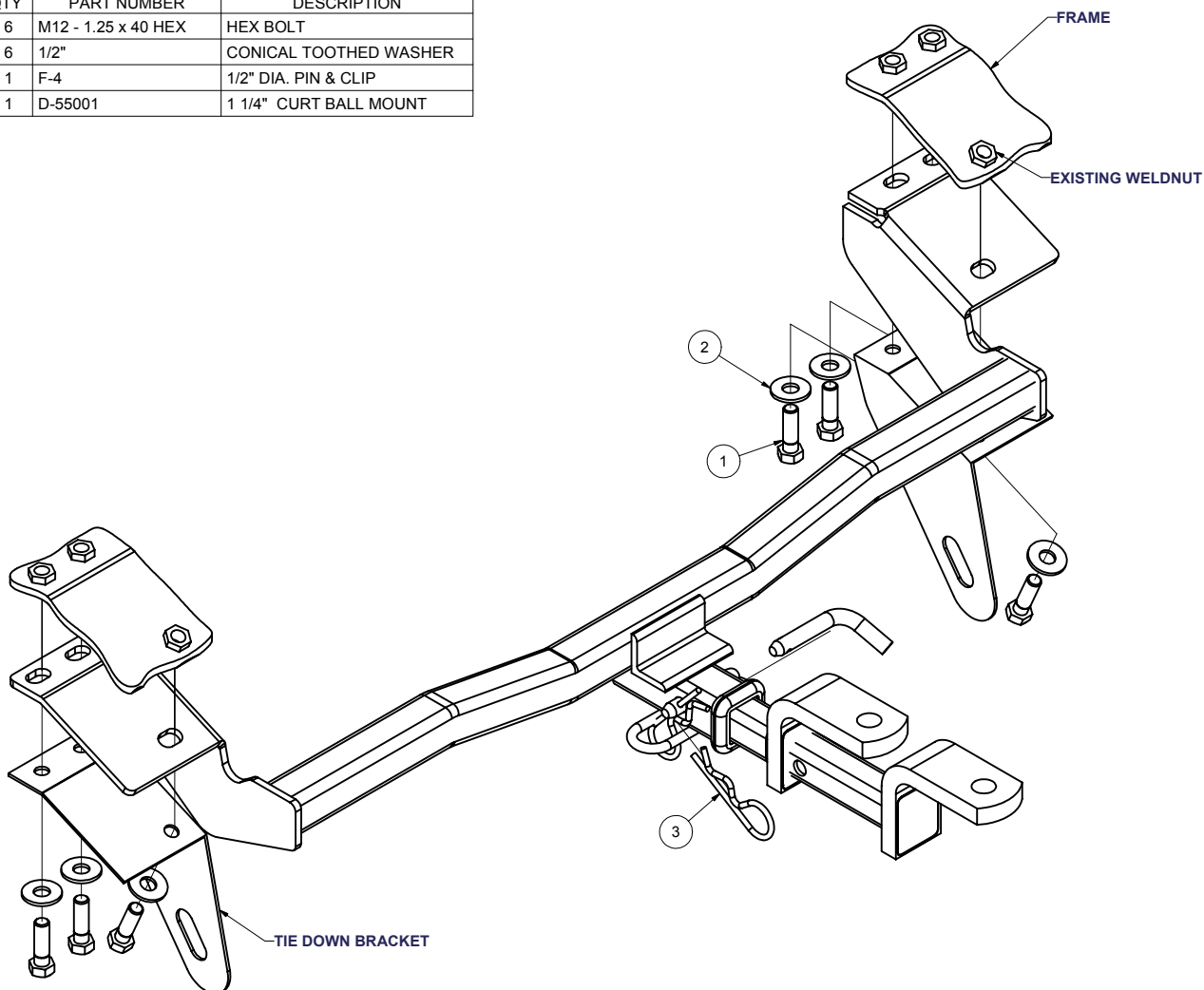




## 11238 LEXUS GS 300/400

GROSS LOAD CAPACITY WHEN USED AS A WEIGHT CARRYING HITCH: 2,500 LBS. TRAILER WEIGHT & 250 LBS. TONGUE WEIGHT.  
**\*\*\*DO NOT EXCEED VEHICLE MANUFACTURER'S RECOMMENDED TOWING CAPACITY.\*\*\***

Parts List			
ITEM	QTY	PART NUMBER	DESCRIPTION
1	6	M12 - 1.25 x 40 HEX	HEX BOLT
2	6	1/2"	CONICAL TOOTHED WASHER
3	1	F-4	1/2" DIA. PIN & CLIP
4	1	D-55001	1 1/4" CURT BALL MOUNT



HITCH WEIGHT: 21 LBS.

INSTALL TIME: 15 MINUTES

INSTALL NOTES:

**NO DRILLING REQUIRED**

### INSTALLATION STEPS

- 1) Temporarily unbolt tie down brackets from chassis on both sides of car. Temporarily unfasten the fascia tabs attached to tire well.
- 2) Position the hitch on car aligning slots in hitch with weldnuts in chassis. Remount tie down brackets sandwiching hitch between chassis and tie down brackets. Install fasteners as shown.
- 3) Torque all hardware to 65 lb.-ft.

**PERIODICALLY CHECK THIS RECEIVER HITCH TO INSURE THAT ALL FASTENERS ARE TIGHT AND THAT ALL STRUCTURAL COMPONENTS ARE SOUND.**

Curt Manufacturing Inc., warrants this product to be free of defects in material and/or workmanship at the time of retail purchase by the original purchaser. If the product is found to be defective, Curt Manufacturing Inc., may repair or replace the product, at their option, when the product is returned, prepaid, with proof of purchase. Alteration to, misuse of, or improper installation of this product voids the warranty. Curt Manufacturing Inc.'s liability is limited to repair or replacement of products found to be defective, and specifically excludes liability for incidental or consequential loss or damage.